

AC-DC AXIAL FAN 172x150x51mm (EC Fan)



Housing: Die-Cast Aluminum, Painted Black
Blade: Thermoplastic PBT, UL 94V-2

Insulation Resistance: 10M Ω , 500VDC/min between bare wire and frame
Dielectric Strength: 5mA max. 500VAC/min between bare wire and frame
Operation Temperature: -10°C~70°C(Humidity 35%-85%RH)
Storage Temperature: -40°C~85°C(Humidity 35%-85%RH)
Lead Wire: UL Type #26 AWG
Weight: 720 g

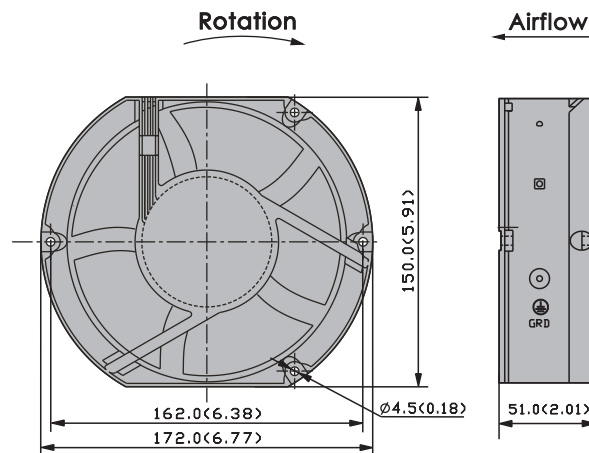
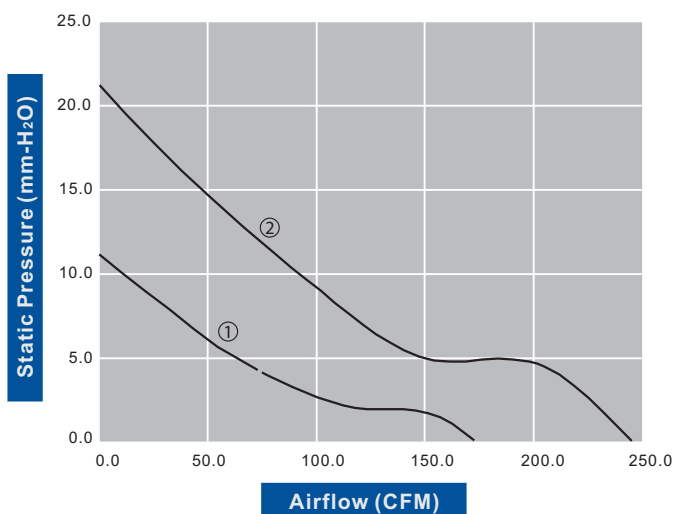


SS

- Energy Efficiency EC Fan
- Electronically Commutated(EC) Motor Technology

Model Number	Voltage (VAC)	Frequency (Hz)	Oper. Volt. (VAC)	AirFlow (CFM)	Stat.Pres. (mm-H ₂ O)	Noise (dBA)	Speed (RPM)	Current (mA)	Power (W)	Available Bearing	Curves
FDA1751B11W5-61	115	60	70~132	172.4	10.8	48.3	2,500	180	12.0	B	①
FDA1751B11W7-61	115	60	70~132	244.5	21.2	58.1	3,500	250	22.0	B	②
FDA1751B22W5-61	230	50	140~264	172.4	10.8	48.3	2,500	100	12.0	B	①
FDA1751B22W7-61	230	50	140~264	244.5	21.2	58.1	3,500	180	22.0	B	②

Specifications are subject to change without notice



unit: mm(inch)