

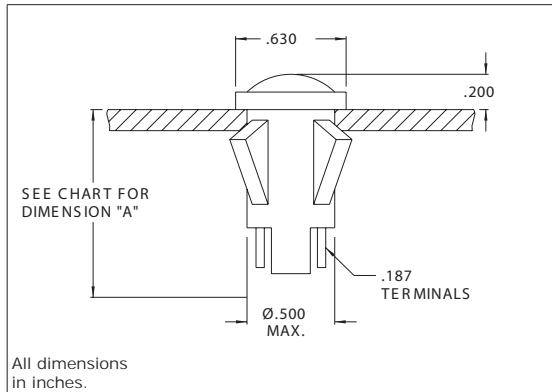
147 Central Avenue
 Hackensack, New Jersey 07601
 Tel: 201-489-8989 • Fax: 201-489-6911



CHICAGO MINIATURE LAMP, INC.
 WHERE INNOVATION COMES TO LIGHT

1030QD, 1031QD, 1032QD and 1033QD Series Non-Relampable Neon Indicator Lights

DESCRIPTION AND FEATURES



Mounting: Will snap-fit into Ø.500/.505 hole in panels .020/.100 thick. Push-on speednut SN0461 also available.
 Mounting hole pattern on page SP2.

Terminals: Quick-connect, tinned brass

Lens: Polycarbonate

Bezel: Polished stainless steel.
 For black finish add "X" after the series letter(s).

Housing: White Nylon

Lens Color	Neon	
	Model No. (105-125VAC)	Model No. (208-250VAC)
Red	1030QD1	1031QD1
Amber	1030QD3	1031QD3
White	1030QD4	1031QD4
Green	1032QD5*	1033QD5*
Lamp used	C 2A+R resistor	

* Incorporates G2B lamp and resistor.
 Underwriters Laboratories (UL) File No. E20325
 Canadian Standards Association (CSA) File No. LR13346